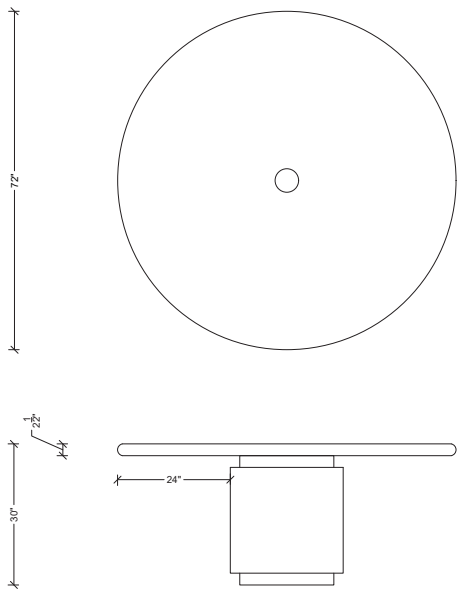


# ANTONIA COLLECTION



## PARISIENNE 72"



### AS SHOWN:

Top in Light Parchment matte finish, Base in Textured Bronze, Top detail in Bronze.

### DIMENSIONS:

L: 72in.

D: 72in.

H: 30in.

Bespoke sizes and finishes available



[www.antoniacollection.com](http://www.antoniacollection.com)